



Speedmachine

Unconditionally *Fast.*

BMC



Speedmachine 01 LTD

Races don't happen in a wind tunnel

UNCONDITIONALLY FAST

That's why we designed the all-new BMC Speedmachine to deliver speed and predictability where you need it most – the real world. Innovation and athlete feedback are at the heart of everything we do at BMC which is why we knew iteration wasn't going to cut it – we needed revolution. By focusing on the rider, bike, and environment as a single system, we've made the fastest bike we've ever tested – in all conditions.

Of course, the countless hours in wind tunnels, feedback from some of the fastest cyclists in the world, and technical collaboration with our partners at Red Bull Advanced Technologies were vitally important too. The result is a bike you can ride in the aero position with the same level of confidence you have on your road bike. No matter the conditions, no matter the course, the BMC Speedmachine is speed you can trust.



A partnership in speed



RED BULL ADVANCED TECHNOLOGIES INPUT

Partnering with the Red Bull Advanced Technologies team has allowed us to completely reimagine how we design bikes. Our engineers in the Impec Lab are able to take their class leading creations to the team at Red Bull and harness the full power of their R&D capabilities for complete validation. Mass simulations, computational fluid dynamics analysis, and wind tunnel validation are now tools at our disposal in our combined quest for speed.

To move at the speed of F1 requires a no-compromises approach to innovation. By teaming up with Red Bull Advanced Technologies, we can supercharge that shared desire to push the boundaries of what's possible – and we're only just getting started.

Born from racing

PTO Ibiza - Max Neuman 1st

IM European Championship in Hamburg -
Kristian Høgenhaug 3rd - Bike Course Record

IM70.3 Boulder - Chris Leiferman 3rd

IM70.3 Warsaw - Lucy Buckingham 1st

Ironman Coeur d'Alene - Chris Leiferman 1st

...and many more wins to come.



ATHLETE FEEDBACK

When you have some of the world's fastest cyclists riding your bikes, you listen when they start talking. Athlete feedback is one of our most vital innovation tools and the Speedmachine was developed closely with our professional triathletes and World Tour riders. Considering the wide range of races the riders complete across varying terrain, the feedback was simple: confidence and predictability are paramount. Riders want to know, when everything is on the line, they have a bike that will do exactly what they ask of it.

Finding that sweet spot for any athlete is difficult. It can be hard to articulate this "x-factor", but when you nail it, you know. It's a feeling of connection between athlete and machine that borders on precognition. Formula 1 drivers speak of that magical state where the car does exactly what you ask of it. We created a bike that did the same for our riders.

From the ground up, the Speedmachine has been optimized for extreme stability and certainty. The most aerodynamic position on the bike means nothing if you have to readjust to the base bar through every corner, descent, or questionable bit of tarmac. That's why we set about creating a bike that's stable and predictable in all conditions. Regardless of weather, terrain, or wheel choice, the Speedmachine handles exactly how you hope it would handle. We created confidence so you can create speed.



Speedmachine 01 LTD

A black and white photograph of a desk with architectural sketches, a pen, and markers. The sketches are detailed line drawings of mechanical or structural components. A pen and two markers are lying on the desk. A cup is visible on the left side. The text "No stone left unturned" is overlaid in the center.

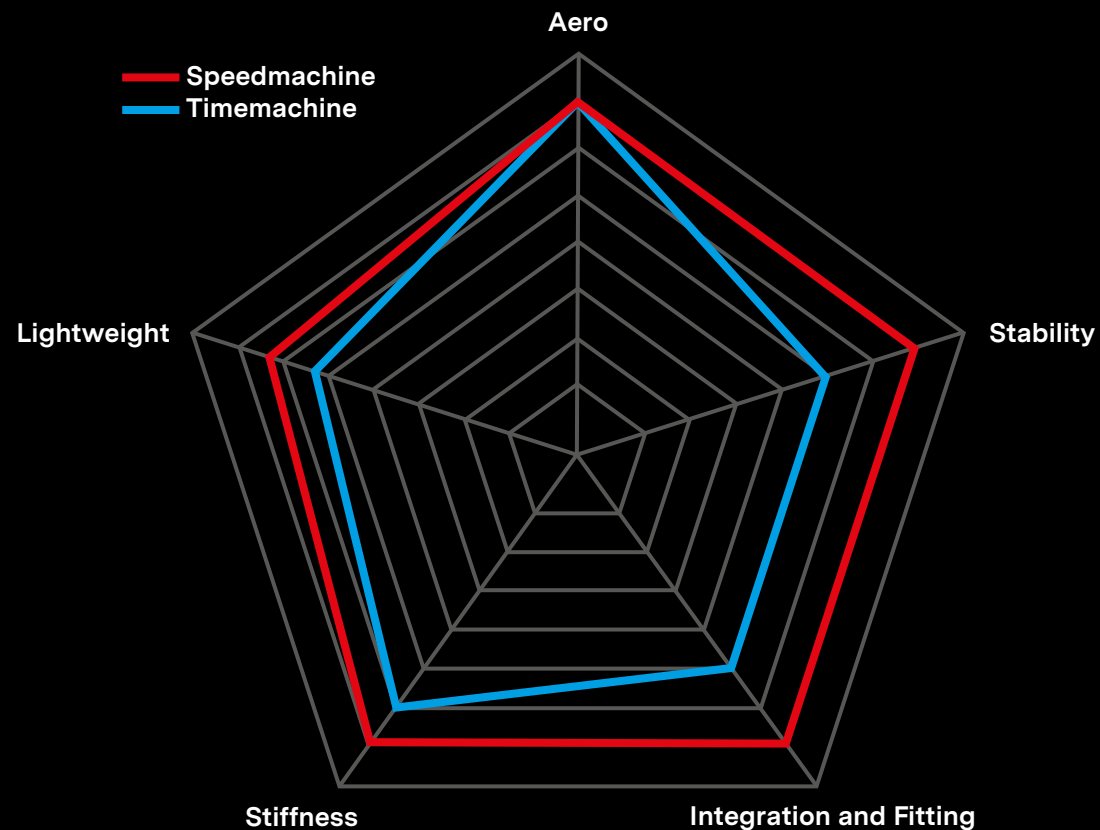
No stone left unturned

STABILITY

Stability when it matters most

Triathlon bikes are usually a compromise. You get blistering straight-line speed at the expense of ride stability and comfort. Our engineers in the Impec Lab got tired of those types of concessions. Thanks to a revolutionary new steering geometry, the BMC Speedmachine provides confidence and predictability previously unheard of in its class. By optimizing the weight distribution while in the extensions, you can maintain your aero position longer, go faster, and arrive fresher to the transition area.

- Revolutionary steering geometry provides more stability and confidence while in the aero extensions.
- Optimized weight distribution allows riders to hold a straighter line at speed.
- Redesigned tube shaping enhances predictability in more varied conditions.



DESIGN/WEIGHT/STIFFNESS

No stone left unturned

Speedmachine needed to be aerodynamic, light, and maintain the legendary stiffness the Timemachine was known for. Easier said than done, thankfully, the engineering wizards in the Impec Lab along with the Red Bull team have more than a few tricks up their lab coat sleeves.

Controlling airflow is key when designing a bike optimized for aero efficiency which is why every tube shape as well as the wider fork stance, contributes to lowering drag in all yaw angles. From the revolutionary SharkFin front-fork spoilers inspired by Formula 1 to leading-edge designed tube shapes that clean up air around the frame, the Speedmachine's aerodynamic philosophy is a perfect harmony of speed and stability.

Of course, we didn't forget about the weight or stiffness. Half a kilogram lighter than the Timemachine and just as stiff wasn't easy to achieve but was necessary to take the Speedmachine to the next level. No matter the grade or the distance, you can rest assured that the Speedmachine will transfer every last drop of your effort into instant forward momentum.

- Fork spoiler helps clean up air turbulence created by the front wheel to optimize drag.
- Increased clearance allows for wider tires and rims.
- Designed and optimized for disc brakes.
- T47 bottom bracket provides unparalleled power transfer with a contained frontal area.
- Thru-axle fairing caps designed for maximum aero benefit.



Speedmachine 01 TWO



DESIGN/WEIGHT/STIFFNESS

SharkFin

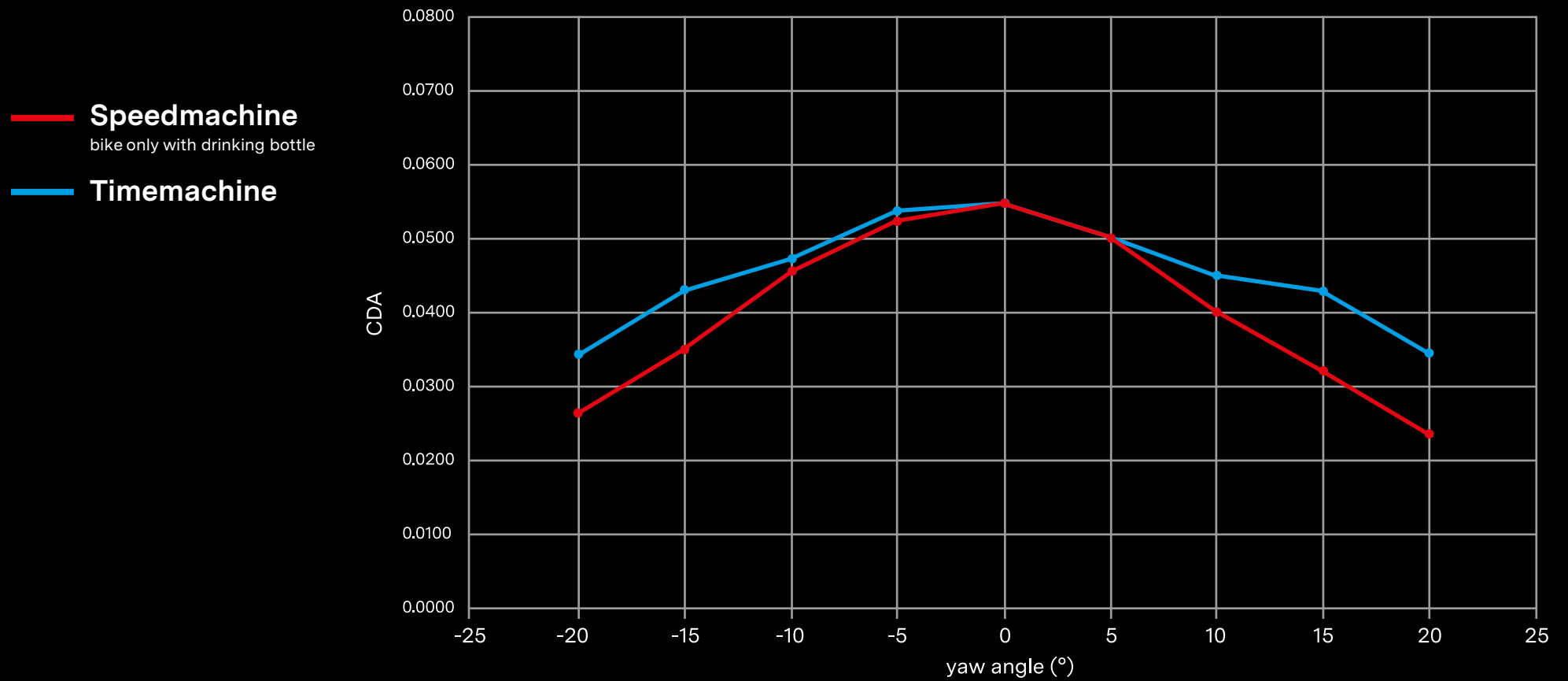
We designed the Speedmachine for peak performance, featuring cutting-edge technology that makes a difference in the real world. The wide, airfoil-shaped fork and our SharkFin work together to make the bike faster and more efficient.

The SharkFin is a secret weapon, our secret weapon. It's inspired by Formula 1 cars and is a crucial piece of the speed puzzle. It guides dirty air away from the downtube, reducing resistance and—ultimately—enhancing you to go faster.

Our Impec Lab team has worked closely with Red Bull Advanced Technologies to create a bike that screams for speed. The result might be small and invisible at first glance, but that truly encompasses our passion and dedication to making the world's fastest bike.

DESIGN/WEIGHT/STIFFNESS

The redline for the Speedmachine clearly shows the smoothness and stability of the Speedmachine in varying yaw angles.

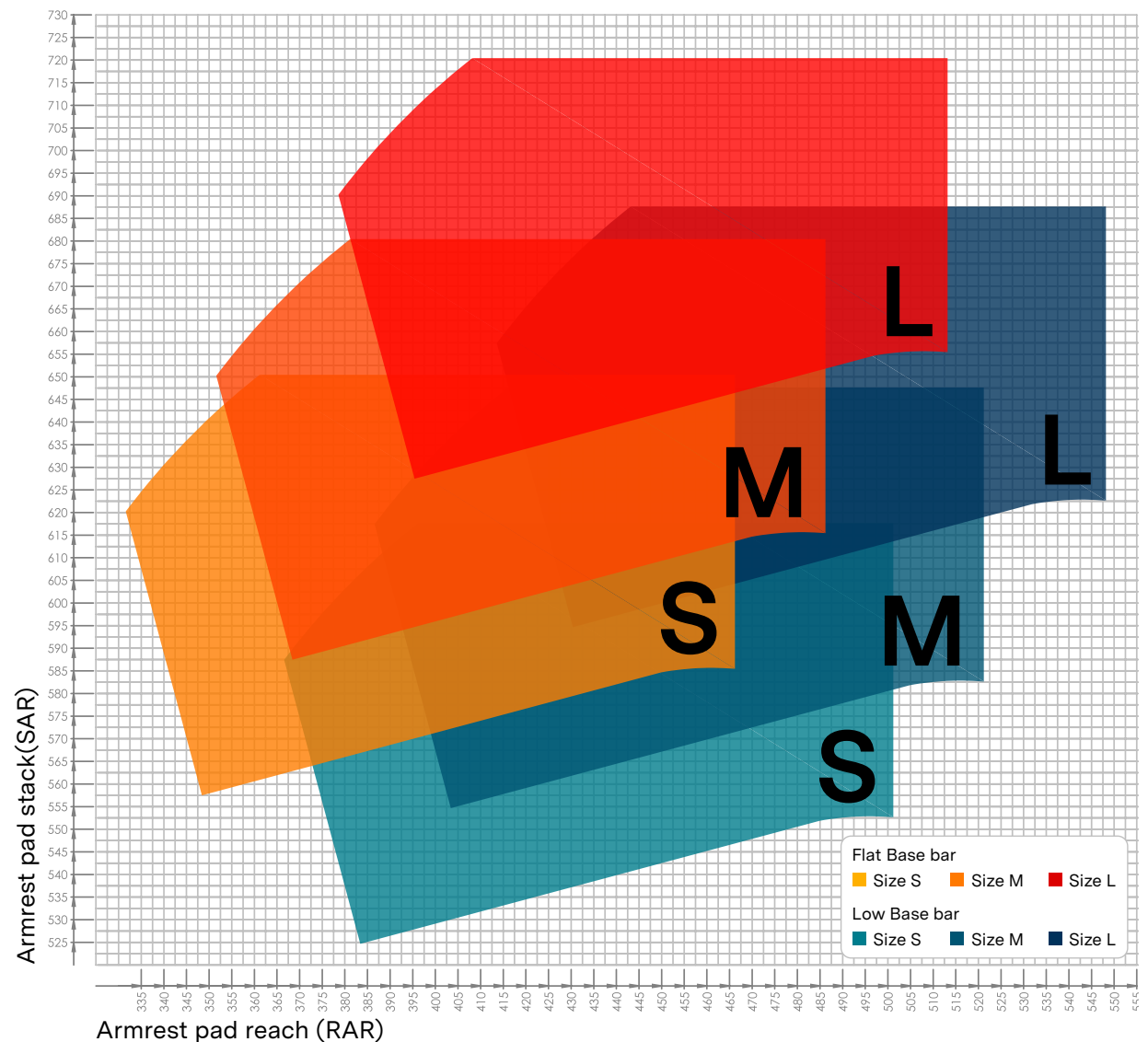


ADAPTABILITY

Fit for royalty

Finding your perfect position on the bike is the key determinant to ultimate performance. When designing the Speedmachine we knew we wanted to create a system that was both adjustable enough to find your perfect fit and easy to disassemble while traveling. The reimagined cockpit has been dramatically simplified and can now be removed with just four bolts. You no longer need a degree in mechanical engineering to pack your bike up for race travel. Additionally, the Speedmachine comes with multiple base-bar options, a wide range of extensions, and adjustability accounting for a vast selection of stack, reach, and width options.

- 3 frame sizes (small, medium, and large).
- 2 base bar options (flat and low) allow for optimal reach.
- Risers, armrests and extensions offering a robust range of position adjustability options.
- Compatible with Profile Design interface for even more cockpit customization.
- Triathlon and TT-specific seatposts maximize fit range.







Speedmachine 01 TWO

INTEGRATION (FUEL, HYDRATION, STORAGE)

Every thing has its place

The last thing you want to be worrying about in the middle of a 180km bike leg is if you have enough food, fuel, and supplies to get the job done. The Speedmachine takes storage integration to a new level with hydration and storage solutions that make staying properly fueled feel like second nature. Think of it like a Swiss Army Knife that can hold 70kph on the flats.

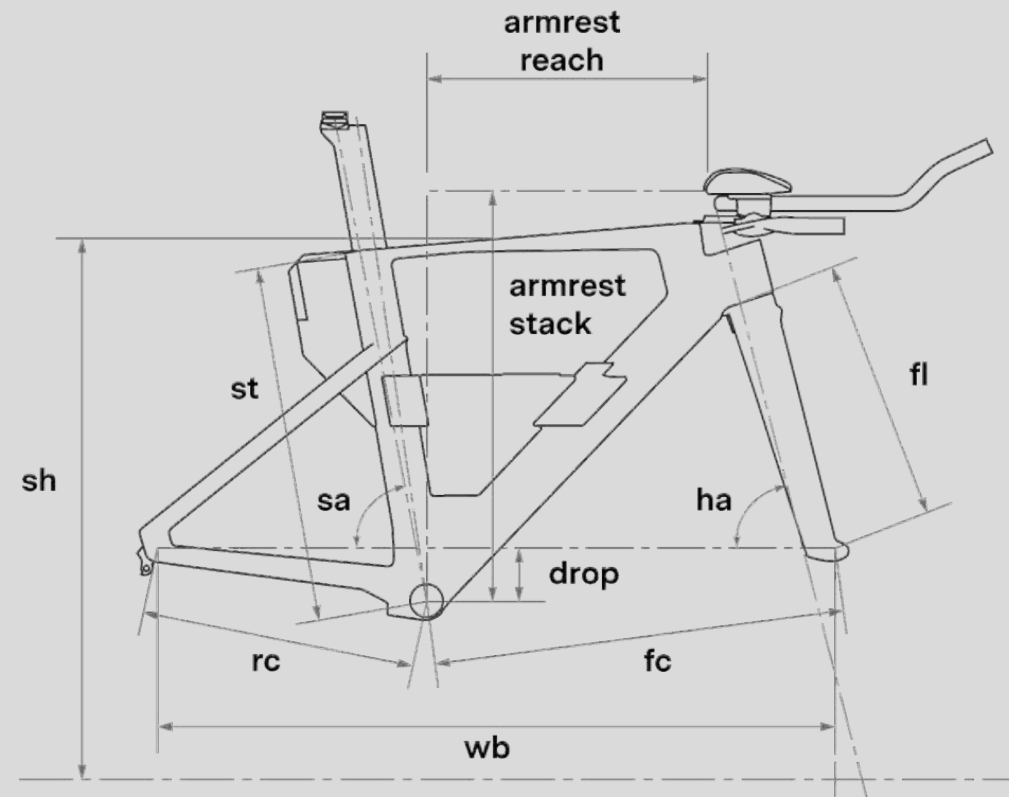
- The Speedmachine Fultank 1200 holds up to 1.2L (40.5 oz) of fluid, is easy to fill and clean, and is aerodynamically located low on the frame for better handling.
- Integrated hydration tube runs internally from the Fultank 1200 directly to the cockpit for easy access.
- Speedmachine Rear Storage 260 holds all your race day essentials in an aerodynamically optimized and secure location.
- The BMC Rear Light 20 StVO is integrated directly into the Rear Storage 260 keeping you safe and visible no matter the conditions with a powerful LED array emitting 20 lumens.
- Top tube bolt mounts provide additional storage options for increased nutrition storage.





Geometry

Size	S	M	L
Rider height (cm)	<174	172-185	>180
Armrest Stack (stack)	558-65	588-681	628-721
Armrest Reach (reach)	348-466	368-486	395-548
Seat Tube (st)	460	525	551
Seat Tube Angle ° (sa)	80°	80°	82,4°
Rear Center (rc)	405	405	405
Front Center (fc)	578	606	646
Wheelbase (wb)	974	1000	1040
BB drop (drop)	62	72	72
Fork Length (fl)	391	391	392
Standover Height (sh)	766	806	837





Timemachine DISC



Speedmachine

Timemachine DISC vs Speedmachine

Weight: 500g weight reduction compared to the Timemachine Disc.

Geometry and Stability: Reimagined steering geometry makes the Speedmachine easier and more stable to ride no matter the conditions.

Aerodynamics: Further improved Aerodynamics in all areas of the bike (SharFin, Aerofoil shaped, wide fork, integrated Storage Box and Fuel tank), RBAT collaboration.

Integration and Design: Everything has its place. Storage box with integrated rear light, 1.2l Fuel tank and Hydration System integrated. Stealth Dropouts complete the clean design.

Tire Clearance: Wider tire clearance from 27mm to 30mm. Speedmachine is optimized for 28mm tires, Timemachine disc was optimized for 25mm tires.

Travel and Maintenance Convenience: Significantly reduced number of parts on the Speedmachine for easier Maintenance and Travel.

Geometry - Timemachine DISC vs Speedmachine



Size	S	M-S	M-L	L
Rider height (cm)	<170	172-180	178-188	186-196
Pad Stack Flat Cockpit	535 - 610	555 - 630	555 - 630	595 - 670
Pad Reach Flat Cockpit	388 - 474	381 - 467	422 - 508	438 - 524
Seat Tube (st)	495	550	550	592
Seat Tube Angle ° (sa)	71.5-80.8°	71.5-80.8°	71.5-80.8°	71.5-80.8°
Rear Center (rc)	400	400	400	400
Front Center (fc)	580	578	619	649
Wheelbase (wb)	972	968	1009	1039
BB drop (drop)	58	68	68	68
Fork Length (fl)	374	374	374	374
Standover Height (sh)	755	797	797	838



Size	S	M	L
Rider height (cm)	<174	172-185	>180
Armrest Stack (stack)	558-65	588-681	628-721
Armrest Reach (reach)	348-466	368-486	395-548
Seat Tube (st)	460	525	551
Seat Tube Angle ° (sa)	80°	80°	82,4°
Rear Center (rc)	405	405	405
Front Center (fc)	578	606	646
Wheelbase (wb)	974	1000	1040
BB drop (drop)	62	72	72
Fork Length (fl)	391	391	392
Standover Height (sh)	766	806	837

Choose your weapon

With two different models of Speedmachine to choose from, there's sure to be one that ticks all your boxes. And for those of you looking to customize every possible element, the Speedmachine comes as a Module as well - the perfect canvas for your aerodynamic beast.



Speedmachine 01 LTD

SRAM RED eTap AXS
ZIPP 858 NSW

16 999 €



Speedmachine 01 TWO

SRAM Force eTap AXS
DT Swiss ARC 1650

10 999 €



Speedmachine 01 Module

6 999 €

